

Power Action Geometry - Optimized geometry for maximum force.

Optional Ripper Shank - Four position ripper with replaceable tip*.

Nose Plates - Extra thick AR400.

Pinch Plate - For pulling wires and re-bar.

Replaceable Teeth - AR500 alloy.

Main Pivot - Large eye radius virtually indestructible.

Side Plates - Solid QT100 alloy steel plate eliminates troublesome joints and welds.

Bracket - Heavy-Duty three position bracket with oversize pins.

Brace - Solid 44W, virtually indestructible.

Pivot Group - Thru hardened alloy pins and heavy wall alloy bearings.

Torque Tubes - Upgraded heavy wall tubes eliminate twisting and flex.

Wear Edge - Replaceable through hardened alloy blade for scraping.

Features & Benefits

- Massive torque tubes absorb twisting forces.
- No extra hydraulics required, use existing bucket cylinder for power.
- Simple, safe and almost silent operation
- Replaceable wear parts.
- Optional four position ripper shank for picking, prying, lifting and flipping heavy slabs*.

High Speed Crushing



Reclaim Recyclables



Picking and Sorting



XCP4 Series Typical Specifications

Carrier	Model	Tooth Config.	Weight kg [lb]
16 - 24 t	20CP47	3/4	1,088 [2,400]
22 - 28 t	25CP47	3/4	1,424 [3,140]
26 - 38 t	30CP47	3/4	1,878 [4,140]
35 - 50 t	40CP49	4/5	2,812 [6,200]
48 - 60 t	55CP49	4/5	4,350 [9,590]
59 - 90 t	70CP49	4/5	5,550 [12,235]

* - Optional Components

nye.ca/crunch

All Nye products are warranted to be free of defects in materials and workmanship for a period of 2 years or 2,000 hours.

Specifications subject to change.



nye.ca/terms

Nye XCP4 Concrete Pulverizer:

These mechanical pulverizer's outperform hydraulic units in both primary and secondary crushing operations.

Biomimetic crushing jaws modeled after bone crushing wolves teeth, including canine fangs for grasping and puncturing material whilst protecting the nose-plate from wear.

Built entirely from extra thick quenched and tempered alloy plate.

The alloy teeth are welded in place, not pinned, so they cannot fall out and jam your crusher,

Concrete Pulverizer's are easy to install, safe, silent to operate and available in Quick Coupler and Pin Grabber compatible versions.

For more information:

Call 905 897 2311 or visit nye.ca.

Nye Manufacturing Ltd.

3585 Mavis Rd.
Mississauga, ON L5C 1T7
Canada
+1 905 897 2311
sales@nye.ca nye.ca



Nye is a proud family owned Canadian business; going strong for over 60 years

Put our expertise to work for you!

Scan for videos →

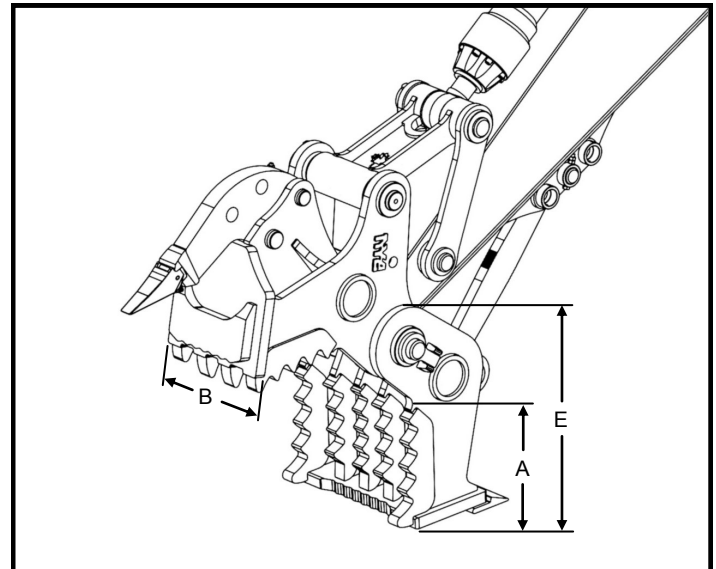
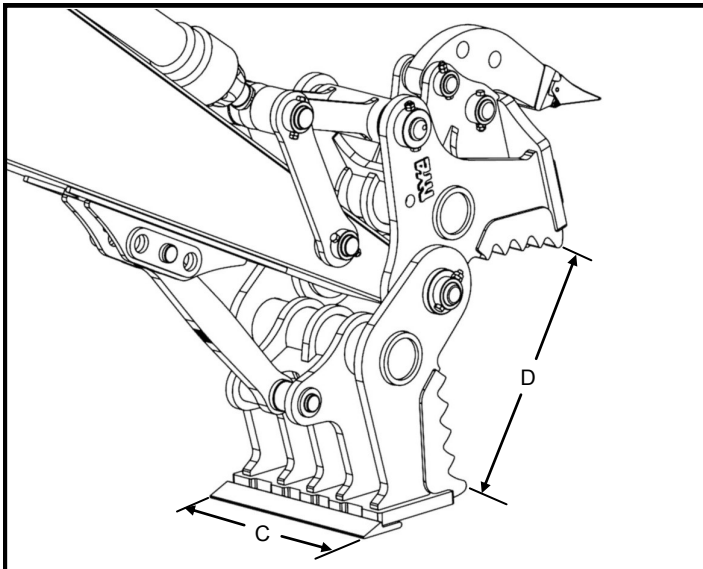


CARRIER [x1000lbs]	MODEL	JAW CONFIG.	WEIGHT	THROAT DEPTH (A)	MOVING JAW WIDTH (B)	FIXED JAW WIDTH (C)	MAX OPENING (D)	OVERALL HEIGHT (E)
09 - 14 t [20 - 31]	12CP47	3/4	885 [1,950]	406 [16]	394 [15.5]	565 [22]	533 [21]	673 [26.5]
13 - 17 t [29 - 37]	15CP47	3/4	997 [2,200]	457 [18]	443 [17.5]	647 [25.5]	660 [26]	786 [31]
16 - 24 t [35 - 53]	20CP47	3/4	1,088 [2,400]	522 [21]	508 [20]	717 [28]	792 [31]	863 [34]
	20CP49	4/5	1,270 [2,800]		508 [20]	711 [28]		
22 - 28 t [48 - 62]	25CP47	3/4	1,424 [3,140]	600 [24]	581 [23]	817 [32]	889 [35]	973 [38.5]
	25CP49	4/5	1,542 [3,400]		600 [23.5]	817 [32]		
26 - 38 t [57 - 84]	30CP47	3/4	1,878 [4,140]	681 [27]	629 [24.5]	888 [35]	1,016 [40]	1,117 [44]
	30CP49	4/5	1,950 [4,300]		640 [25]	881 [34.5]		
35 - 50 t [77 - 110]	40CP47	3/4	2,663 [5,870]	776 [31]	706 [28]	1,004 [39.5]	1,168 [46]	1,286 [50.5]
	40CP49	4/5	2,812 [6,200]		722 [28.5]	1,001 [39.5]		
48 - 60 t [106 - 132]	55CP49	4/5	4,350 [9,590]	872 [34]	743 [29]	1,079 [42.5]	1,250 [49]	1,439 [56.5]
59 - 90 t [130 - 198]	70CP49	4/5	5,550 [12,235]	939 [37]	882 [34.5]	1,189 [47]	1,321 [52]	1,514 [60]
89 - 125 t [196 - 276]	100CP49	4/5	6,680 [14,725]	1,054 [42]	916 [36]	1,251 [49]	1,473 [58]	1,704 [67]

Specifications subject to change

(40CP49D Model Shown with optional ripper)

Units of Measure: kg [lb] and mm [in]



Nye Manufacturing Ltd.
3585 Mavis Rd.
Mississauga, ON L5C 1T7
Canada
+1 905 897 2311
sales@nye.ca nye.ca



Nye is a proud family owned Canadian business; going strong for over 60 years

Put our expertise to work for you!

Scan for videos →

