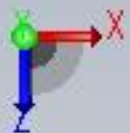
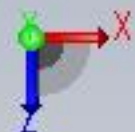


Model name: 10inch-pipe(SC160)
Study name: COSMOSXpressStudy
Plot type: Deformed shape Plot3
Deformation scale: 13.3197



Model name: 10inch-pipe(SC160)
Study name: COSMOSXpressStudy
Plot type: Static displacement Plot2
Deformation scale: 13.3197



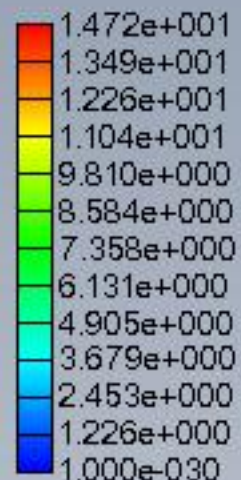
Max: 1.472e+001



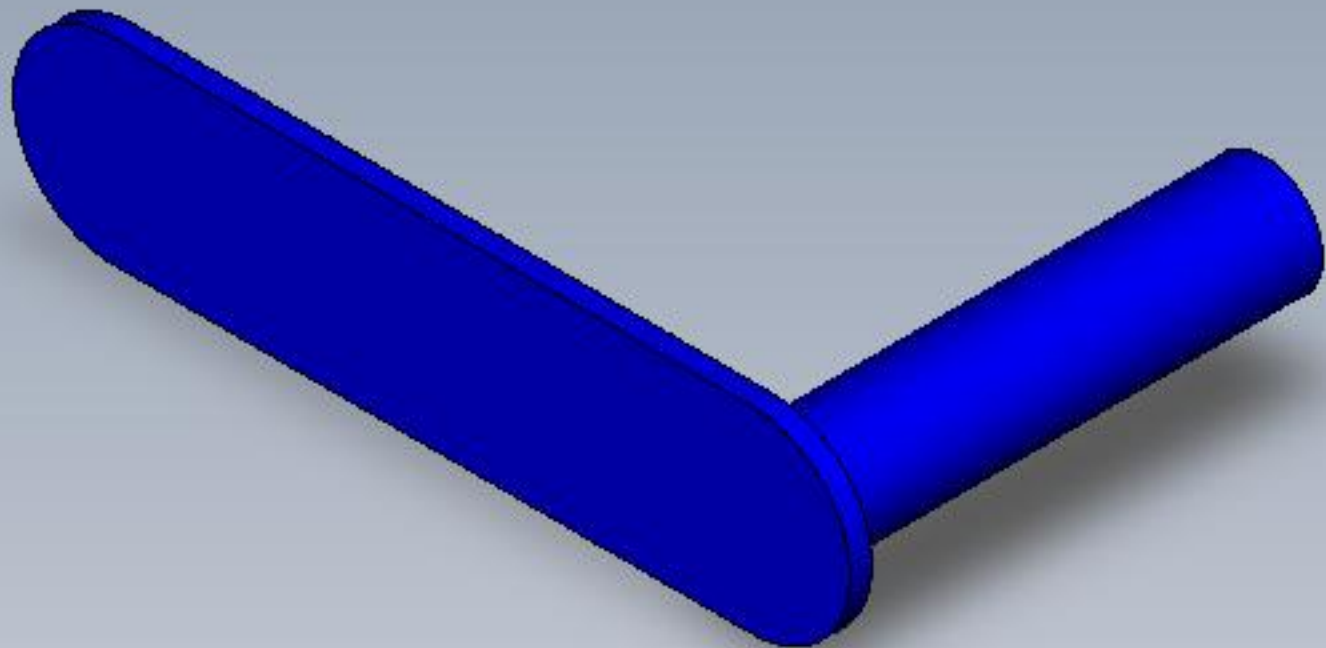
Min: 1.000e-030



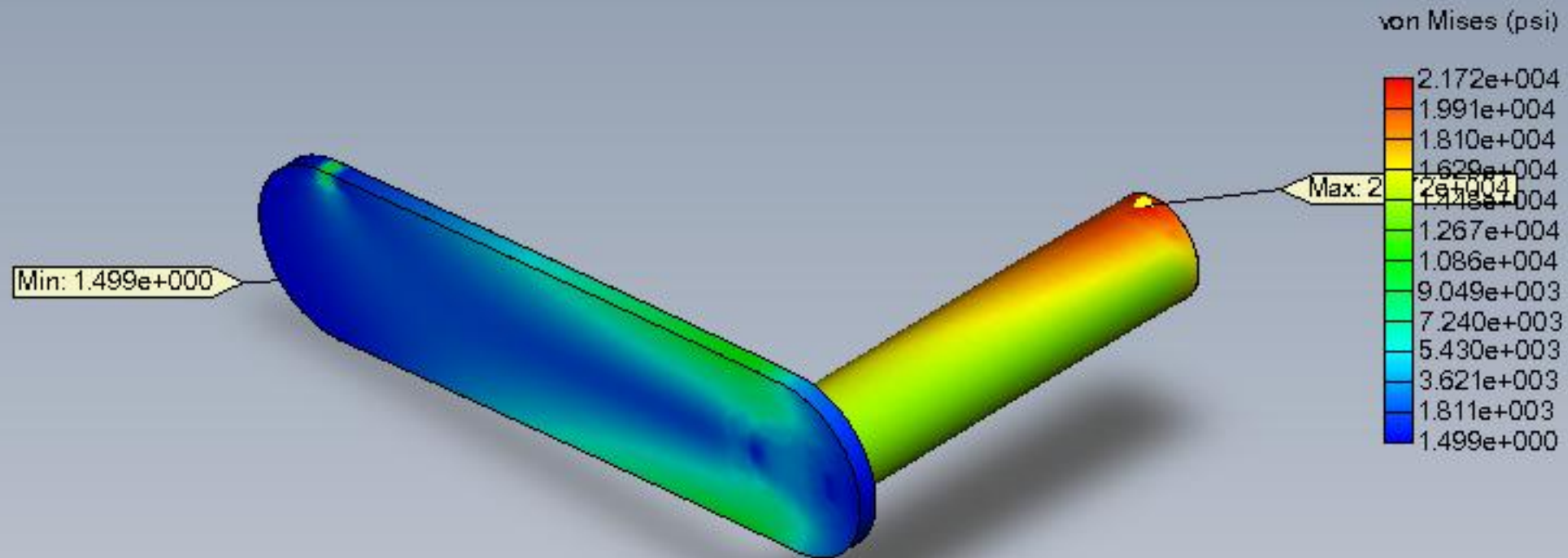
URES (mm)



Model name: 10inch-pipe(SC160)
Study name: COSMOSXpressStudy
Plot type: Design Check Plot4
Criterion : Max von Mises Stress
Red < FOS = 1 < Blue



Deformation scale: 13.3197



Deformation scale: 25.5246

